

Floating Shelves



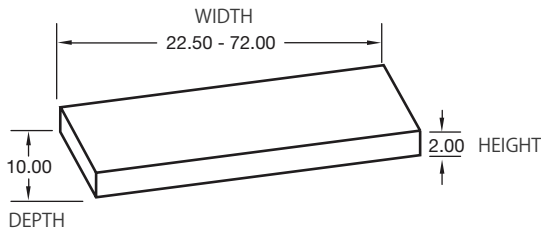
THICK SURFACES

Introduce open concepts with stylish and versatile floating shelves. Whether you're creating long, streamlined displays or short, layered looks, Northern Contours offers a variety of colors and finishes to accentuate your design. Miter folded, floating shelves are available in all of our Wood Veneer species as well as all of our 3D Laminate materials, ranging from neutral SuperMatte and shining High Gloss colors, to a wide selection of welcoming woodgrains.

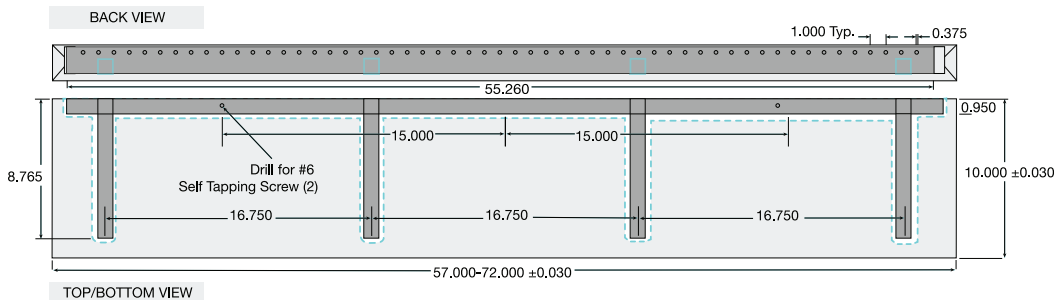
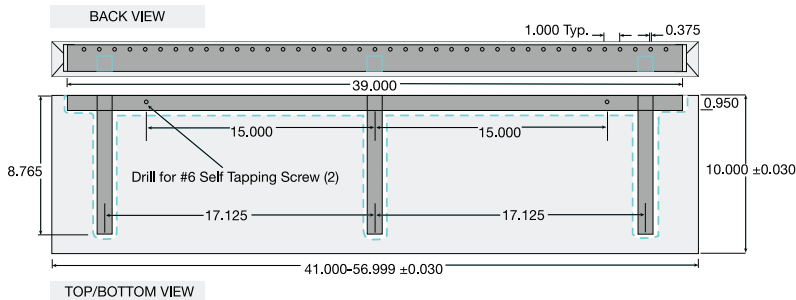
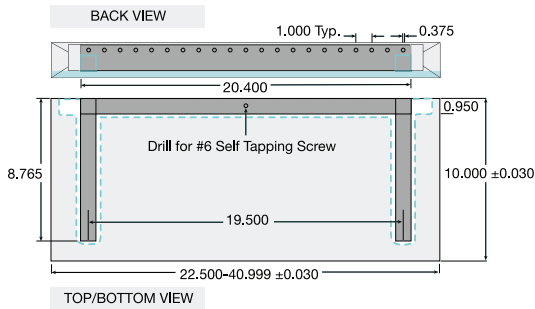
- Standard shelf height is 2", standard depth is 10". Widths available in 1/16" increments from 22.5" to 72".
- Standard grain direction will be horizontal on top, bottom and front edge. Both ends will have vertical grain. Optional horizontal grain on top, bottom and all edges.
- Metal brackets are included with your order.



Floating Shelves



FLOATING SHELF INTERNAL BRACKET



SPECIFICATIONS

CONSTRUCTION	Miter folded, internal metal bracket included with your order
FACE MATERIAL	Wood Veneer, raw High Gloss Wired 2D Laminates 3D Laminates
CORE	Engineered core
GRAIN DIRECTION	Standard grain direction will be horizontal on top, bottom and front edge. Both ends will have vertical grain. Optional horizontal grain on top, bottom and all edges.

ADDITIONAL OPTIONS & INFORMATION

PAINT GRADE MAPLE	Available
SIZE PARAMETERS	
STANDARD WIDTH	22.5" minimum 72" maximum
STANDARD DEPTH	10"
STANDARD HEIGHT	2"
MAX LOAD	10 lbs per lineal foot



Customer Care | 877-998-1814
www.northerncontours.com

Photography features White Gloss 3D Laminate (left), Black Walnut Wood Veneer and White High Gloss 3D Laminate (top right), Rift White Oak Wood Veneer (bottom right). Colors and textures may differ from actual product. Please refer to product samples before ordering.